



**USER MANUAL – EN**  
**IN 25981 Basketball inSPORTline Brooklyn II**



SevenSport s.r.o. reserves the right to make any changes and improvements to its product without prior notice. Visit our website [www.insportline.eu](http://www.insportline.eu) where you will find the latest version of the manual.

**CONTENTS**

SAFETY PRECAUTIONS..... 3  
PARTS LIST ..... 3  
ASSEMBLY ..... 4  
ENVIRONMENT PROTECTION ..... 5  
TERMS AND CONDITIONS OF WARRANTY, WARRANTY CLAIMS..... 5

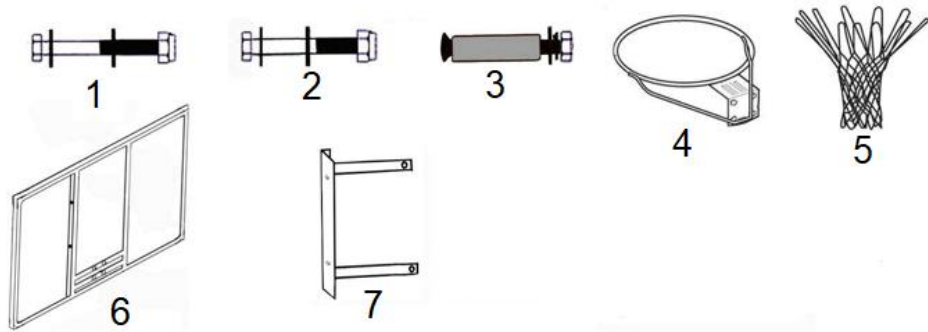
## SAFETY PRECAUTIONS

- Read this manual carefully before first using and keep it for future reference.
- This backboard must be firmly attached to a flat, clean and solid surface (wall) using included steel screws. Don't attach it to a wooden wall.
- Two adult people are necessary to assemble this product. Not to do it should cause serious injury or damage.
- This product must be assembled and maintained according to this manual only.
- Don't do any improper modification.
- Before assembling check that the package contains all parts. Check carefully that they are not damaged.
- Regularly check all parts for damage or wearing. Damaged or worn parts must be replaced immediately. Never use damaged equipment.
- Pay attention, especially if you use a ladder during assembly.
- All parts must be assembled properly and firmly tightened to avoid a fall apart.
- Inform all other users of possible risks and dangers to avoid an injury.
- Don't hang other objects on the rim or on other product parts.
- While playing avoid contact of your face (teeth) with the backboard or the rim not to be hurt.
- Wear adequate sports clothes and shoes while playing. Avoid bracelets, necklaces, watches or rings. They could be easily caught in the net.
- Check all bolts and nuts before each using. They must fit well. Retighten them if necessary.
- Never use damaged or worn product.
- Before starting any exercising consult your physician about your health and fitness to avoid an injury.
- Children can use the device under adult supervision.
- Suitable for both indoor and outdoor using.
- Suitable only for home using.
- Attach to a suitable load-bearing wall if you are unsure contact a professional.
- **WARNING!** Overexertion during training can lead to a serious injury or even death. If you start to feel faint, stop the exercise immediately.

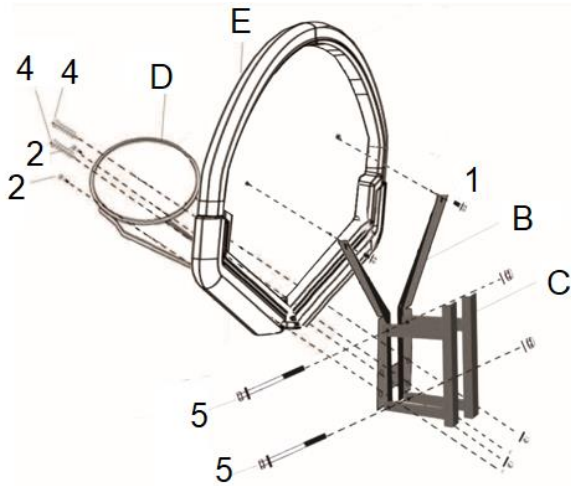
## PARTS LIST

No.	Name	Qty.
1	Bolt with washer M8x16 mm	2
2	Bolt with washers and nut M8x35 mm	2
3	Bolt with dowel M8x80 mm	4
4	Bolt with spring M8x110 mm	2
5	Bolt with washers and nut M12x150 mm	2
A	Net	1
B	Backboard holder	1
C	Frame	2

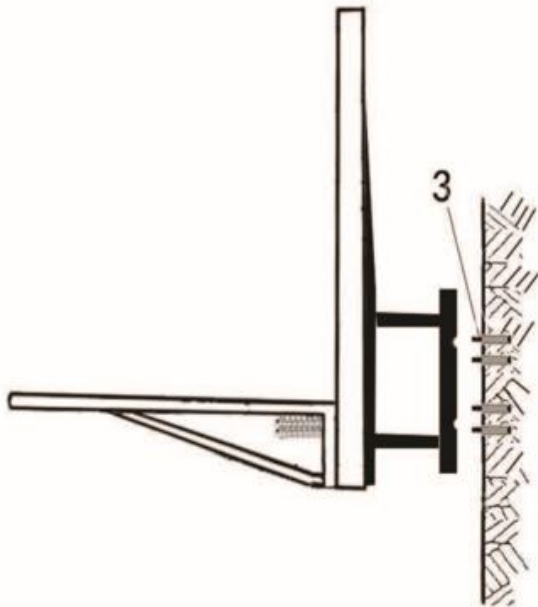
D	Hoop	1
E	Backboard	1



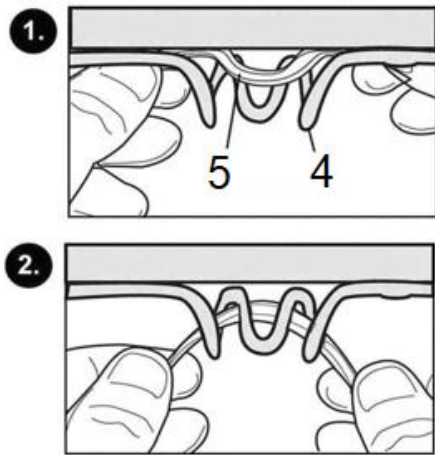
### ASSEMBLY



Attach the hoop (D) and the backboard holder (B) to the backboard (E) using bolts (4 and 2). Attach the top part of the backboard holder (B) with bolt (1). Connect the backboard holder (B) to the frame (C) using bolt (5).



Attach the completed construction to the wall using bolts (3).



Fix the net according to the picture.

## ENVIRONMENT PROTECTION

After the product lifespan expired or if the possible repairing is uneconomic, dispose it according to the local laws and environmentally friendly in the nearest scrapyard.

By proper disposal you will protect the environment and natural sources. Moreover, you can help protect human health. If you are not sure in correct disposing, ask local authorities to avoid law violation or sanctions.

## TERMS AND CONDITIONS OF WARRANTY, WARRANTY CLAIMS

### General Conditions of Warranty and Definition of Terms

All Warranty Conditions stated here under determine Warranty Coverage and Warranty Claim Procedure. Conditions of Warranty and Warranty Claims are governed by Act No. 89/2012 Coll. Civil Code, and Act No. 634/1992 Coll., Consumer Protection, as amended, also in cases that are not specified by these Warranty rules.

The seller is SEVEN SPORT s.r.o. with its registered office in Strakonická street 1151/2c, Prague 150 00, Company Registration Number: 26847264, registered in the Trade Register at Regional Court in Prague, Section C, Insert No. 116888.

According to valid legal regulations it depends whether the Buyer is the End Customer or not.

“The Buyer who is the End Customer” or simply the “End Customer” is the legal entity that does not conclude and execute the Contract in order to run or promote his own trade or business activities.

“The Buyer who is not the End Customer” is a Businessman that buys Goods or uses services for the purpose of using the Goods or services for his own business activities. The Buyer conforms to the General Purchase Agreement and business conditions.

These Conditions of Warranty and Warranty Claims are an integral part of every Purchase Agreement made between the Seller and the Buyer. All Warranty Conditions are valid and binding, unless otherwise specified in the Purchase Agreement, in the Amendment to this Contract or in another written agreement.

### Warranty Conditions

#### Warranty Period

The Seller provides the Buyer a 24 months Warranty for Goods Quality, unless otherwise specified in the Certificate of Warranty, Invoice, Bill of Delivery or other documents related to the Goods. The legal warranty period provided to the Consumer is not affected.

By the Warranty for Goods Quality, the Seller guarantees that the delivered Goods shall be, for a certain period of time, suitable for regular or contracted use, and that the Goods shall maintain its regular or contracted features.

**The Warranty does not cover defects resulting from (if applicable):**

- User's fault, i.e. product damage caused by unqualified repair work, improper assembly
- Improper maintenance
- Mechanical damages
- Regular use (e.g. wearing out of rubber and plastic parts, moving mechanisms, joints etc.)
- Unavoidable event, natural disaster
- Adjustments made by unqualified person
- Improper maintenance, improper placement, damages caused by low or high temperature, water, inappropriate pressure, shocks, intentional changes in design or construction etc.

**Warranty Claim Procedure**

The Buyer is obliged to check the Goods delivered by the Seller immediately after taking the responsibility for the Goods and its damages, i.e. immediately after its delivery. The Buyer must check the Goods so that he discovers all the defects that can be discovered by such check.

When making a Warranty Claim the Buyer is obliged, on request of the Seller, to prove the purchase and validity of the claim by the Invoice or Bill of Delivery that includes the product's serial number, or eventually by the documents without the serial number. If the Buyer does not prove the validity of the Warranty Claim by these documents, the Seller has the right to reject the Warranty Claim.

If the Buyer gives notice of a defect that is not covered by the Warranty (e.g. in the case that the Warranty Conditions were not fulfilled or in the case of reporting the defect by mistake etc.), the Seller is eligible to require a compensation for all the costs arising from the repair. The cost shall be calculated according to the valid price list of services and transport costs.

If the Seller finds out (by testing) that the product is not damaged, the Warranty Claim is not accepted. The Seller reserves the right to claim a compensation for costs arising from the false Warranty Claim.

In case the Buyer makes a claim about the Goods that is legally covered by the Warranty provided by the Seller, the Seller shall fix the reported defects by means of repair or by the exchange of the damaged part or product for a new one. Based on the agreement of the Buyer, the Seller has the right to exchange the defected Goods for a fully compatible Goods of the same or better technical characteristics. The Seller is entitled to choose the form of the Warranty Claim Procedures described in this paragraph.

The Seller shall settle the Warranty Claim within 30 days after the delivery of the defective Goods, unless a longer period has been agreed upon. The day when the repaired or exchanged Goods is handed over to the Buyer is considered to be the day of the Warranty Claim settlement. When the Seller is not able to settle the Warranty Claim within the agreed period due to the specific nature of the Goods defect, he and the Buyer shall make an agreement about an alternative solution. In case such agreement is not made, the Seller is obliged to provide the Buyer with a financial compensation in the form of a refund.

**CZ  
SEVEN SPORT s.r.o.**

Registered Office: Strakonická 1151/2c, Praha 5, 150 00,  
ČR

Headquarters: Dělnická 957, Vítkov, 749 01  
Warranty & Service: Čermenská 486, Vítkov 749 01

CRN: 26847264  
VAT ID: CZ26847264

**About shipping**

Phone: +420 556 300 970  
E-mail: eshop@insportline.cz  
reklamace@insportline.cz  
servis@insportline.cz

Web: www.inSPORTline.cz

**SK**  
**inSPORTline s.r.o.**

Headquaters, warranty & service center: Električná 6471,  
Trenčín 911 01, SK

CRN: 36311723  
VAT ID: SK2020177082

Phone: +421(0)326 526 701  
E-mail: objednavky@insportline.sk  
reklamacie@insportline.sk  
servis@insportline.sk

Web: www.inSPORTline.sk

