



USER MANUAL – EN
IN 24175 E-scooter W-TEC Lambreto Max



CONTENTS

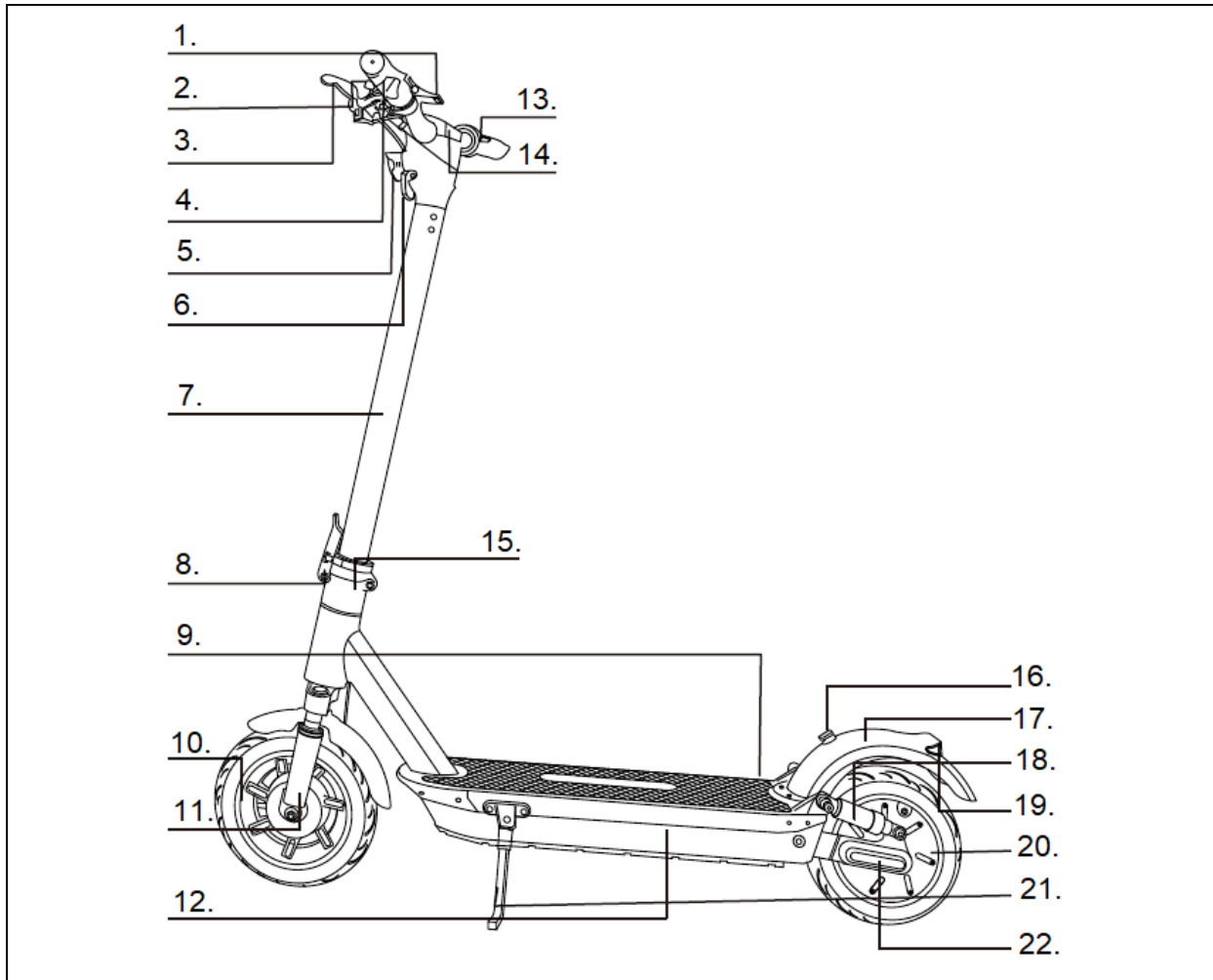
- SAFETY INSTRUCTIONS..... 3
- PRODUCT DESCRIPTION 4
- ASSEMBLY 5
- FIRST START..... 6
- CHARGING 7
- APP 8
- BATTERY 10
- USE 11
- RIDING TECHNIQUE 11
- CLEANING AND MAINTENANCE 11
- STORAGE 12
- SPECIFICATIONS..... 12
- ENVIRONMENT PROTECTION 12
- TERMS AND CONDITIONS OF WARRANTY, WARRANTY CLAIMS..... 12
- ES DECLARATION 15

SAFETY INSTRUCTIONS

- Read the manual carefully and keep it for future reference.
- The scooter is designed to carry one person at the same time.
- Wear a helmet and other protective equipment, incl. proper boots.
- Do not ride on dangerous or ineligible roads.
- Before the first ride, try to control the scooter in the open spaces. If you are not sure, ask a more experienced person for advice.
- Avoid dangerous maneuvers or one-hand steering while riding.
- When riding, keep both feet on the footboard.
- Do not drive directly over an obstacle higher than 3 cm, otherwise you can lose balance and cause yourself injury or damage to the product.
- On uneven or bumpy roads, slow down and ride with caution. Do not endanger yourself or others by careless riding.
- Before riding, it is necessary to set the correct handlebar height for your safety.
- Do not ride into the water, oil or on frozen surfaces.
- Do not immerse the scooter in water. The battery or motor will be destroyed.
- If possible, do not ride in poor weather conditions. Be extra caution during dark.
- Always make sure that you do not violate local regulations and laws before using the product. The use of these and similar devices is not permitted everywhere. If in doubt, contact your local authorities.
- Check that all parts are well held and the screws are not loosened. Ex. tighten them or contact a service center.
- Unauthorized modifications or maintenance will reduce the safety of the equipment.
- Improper use can lead to serious (fatal) injury or damage.
- Check the product regularly for wear. Replace worn parts immediately.
- Do not use a damaged product. Do not use the product if sharp edges appear.
- Follow the manual for maintenance and use. Do not disassemble the device yourself.
- Check the battery level before riding. If it is not fully charged, do not start riding.
- The device is for personal use only. Commercial use is not allowed.
- Be careful while riding. Never ride after drinking alcohol or under the influence of drugs. Do not carry anything on the device.
- Always keep the speed under control and be careful. Keep good vision around the area. Do not exceed speed or weight limits to avoid injury.
- Keep your feet relaxed and your knees slightly bent when riding on an uneven surface.
- In the event of an accident, do not leave and wait for assistance.
- When riding in a group, keep a sufficient distance to avoid collision.
- Remember that your current height is greater when standing on the scooter than without it. Try to keep your balance and avoid too narrow places.
- Other activities (phoning, listening to music) can significantly reduce your riding attention. Don't be distracted.
- Check the condition of the tires regularly. Replace worn out immediately.

- The brakes are hot after braking, do not touch them with bare skin.
- Don't accelerate downhill. The braking distance increases and there is a risk of losing control.
- Control panel is not water-resistant.
- Weight limit: 120 kg

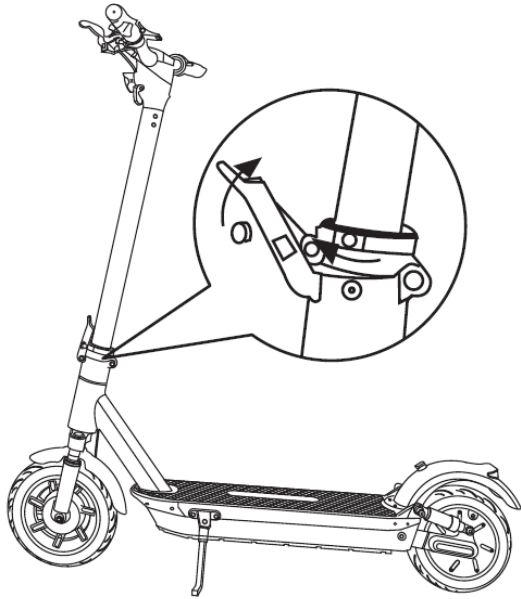
PRODUCT DESCRIPTION



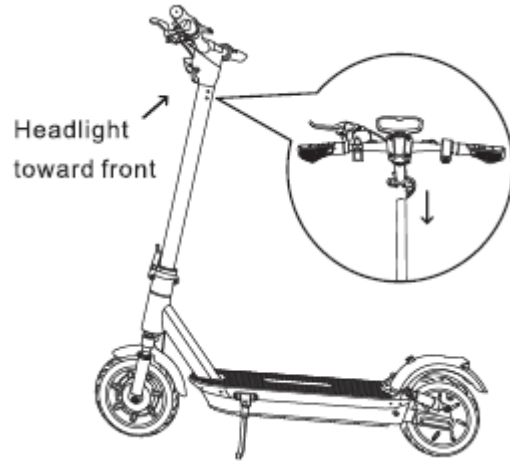
1.	Snap hook	12.	Battery
2.	Horn	13.	Accelerator
3.	Brake lever	14.	Control panel and power button
4.	Handlebar	15.	Folding mechanism
5.	Headlight	16.	Buckle
6.	Front reflector	17.	Rear fender
7.	Steering rod	18.	Rear suspension
8.	Quick release lever	19.	Brake light
9.	Charging port	20.	Drive
10.	Drum brake	21.	Stand
11.	Front suspension	22.	Side reflectors

ASSEMBLY

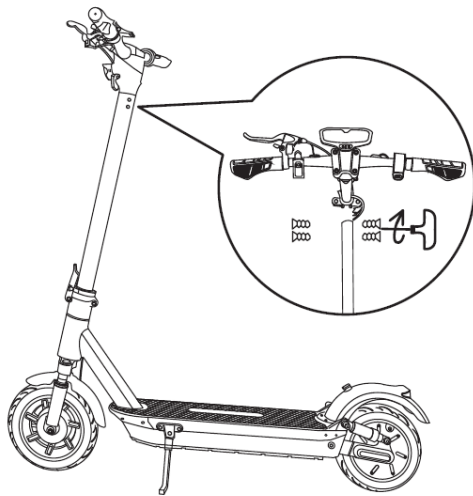
1. Unfold the handlebar and kickstand, secure with quick-release lever.



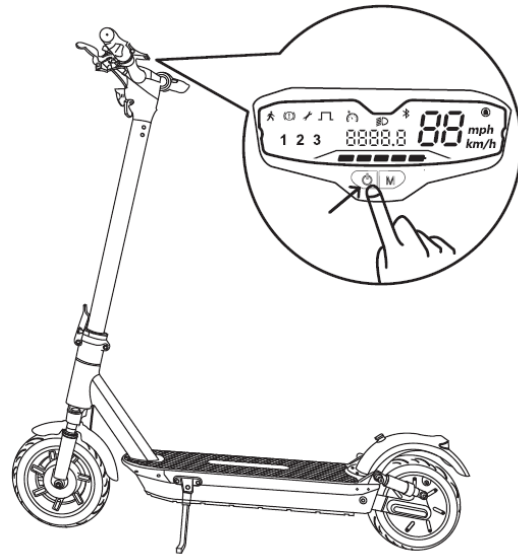
2. Connect the cables leading from the handles and the steering rod. Slide the handles into the steering rod, paying attention to the correct orientation of the handles.



3. Use a wrench to fasten 4x bolts.



4. Verify that the scooter can be started.



FIRST START

Check the condition of the scooter before riding.

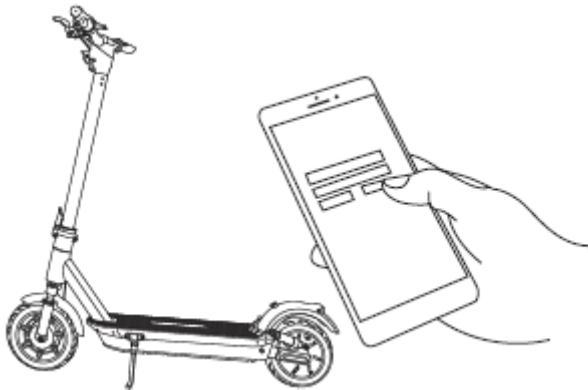
Download the mobile application using the QR code.



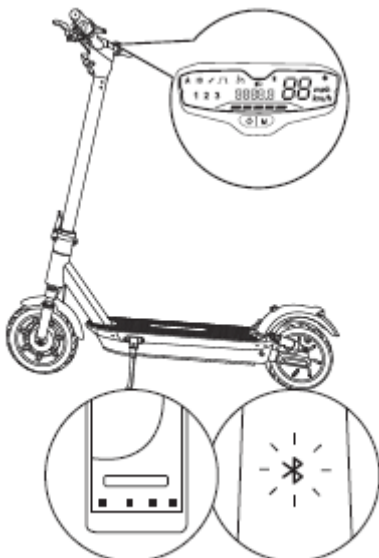
Or download „KCQ Scooter“ app from Google play / Apple store



Install the application and register.



Turn on the scooter. The Bluetooth indicator will flash, waiting for pairing.



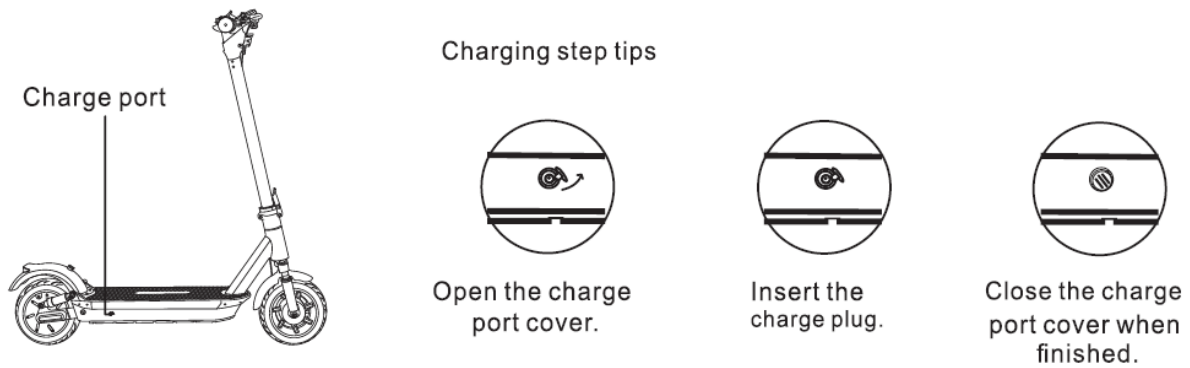
Use your smart device to pair the scooter. The Bluetooth icon stops flashing and lights up.

CHARGING

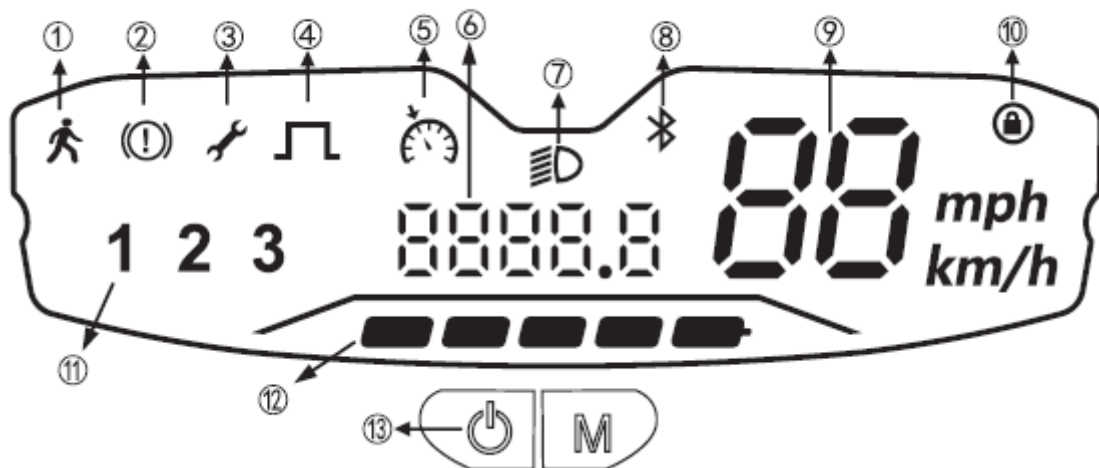
Do not charge the scooter when the connectors or charger are wet.

Do not charge if the charger or its connector is damaged.

After charging and disconnecting the charger, close the charging port.



CONTROL PANEL AND START-UP



1. Walking assistance - the speed of the scooter is 6 km/h, it makes it easier to push the scooter, the back light flashes

2. Brake - lights up when the brake is pressed

3. Error - lights up when an error is detected

4. Non-zero start - The icon indicates that the scooter motor will start when a speed of 3 km/h is reached and the accelerator is pressed.

5. Cruise control - Cruise control starts automatically when the accelerator is pressed for 6 seconds at constant speed, an acoustic signal sound. Apply the brake or change the speed to deactivate cruise control.

You must turn on the cruise control function in the settings.

6. Distance traveled display - When the scooter is running, press the left button twice to switch between the current distance traveled and the total distance traveled.

7. Light - press the left button to turn on the front and rear lights.

8. Bluetooth - displays the Bluetooth connection

9. Speed unit display - If the control panel is turned on, press the right button 3 times to switch between kilometers or miles.

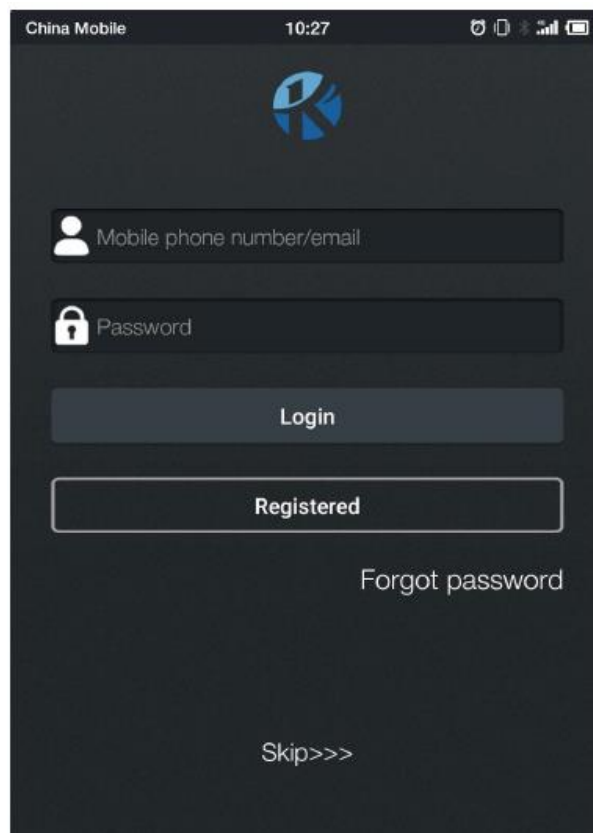
10. Lock - press the left button 8 times, the scooter will be locked, and the lock icon will be displayed. To switch off, press the left button 8 times again.

11. Speed mode - press the right button to select the speed mode, press the right button twice to switch to walking assistance, press twice repeatedly to switch to the original speed mode. 1 - max 20 km / h, 2 - max 25 km / h, 3 - max 30 km / h.

12. Battery status - The battery is displayed in 5 segments, each approx. 20% battery.

13. Start / stop - Press the button to start the scooter, hold the button to turn off the scooter. After starting, the scooter starts with a child lock, to unlock, press the accelerator until the number 16 is displayed and at the same time press the left brake. An acoustic signal sounds.

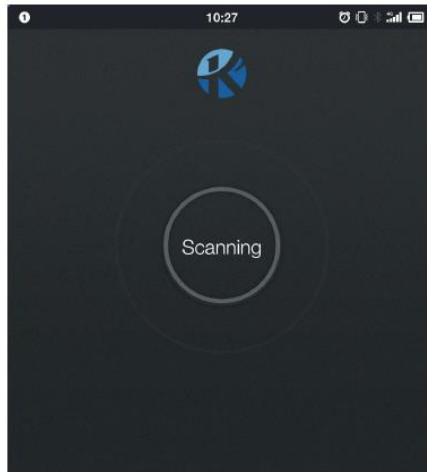
APP



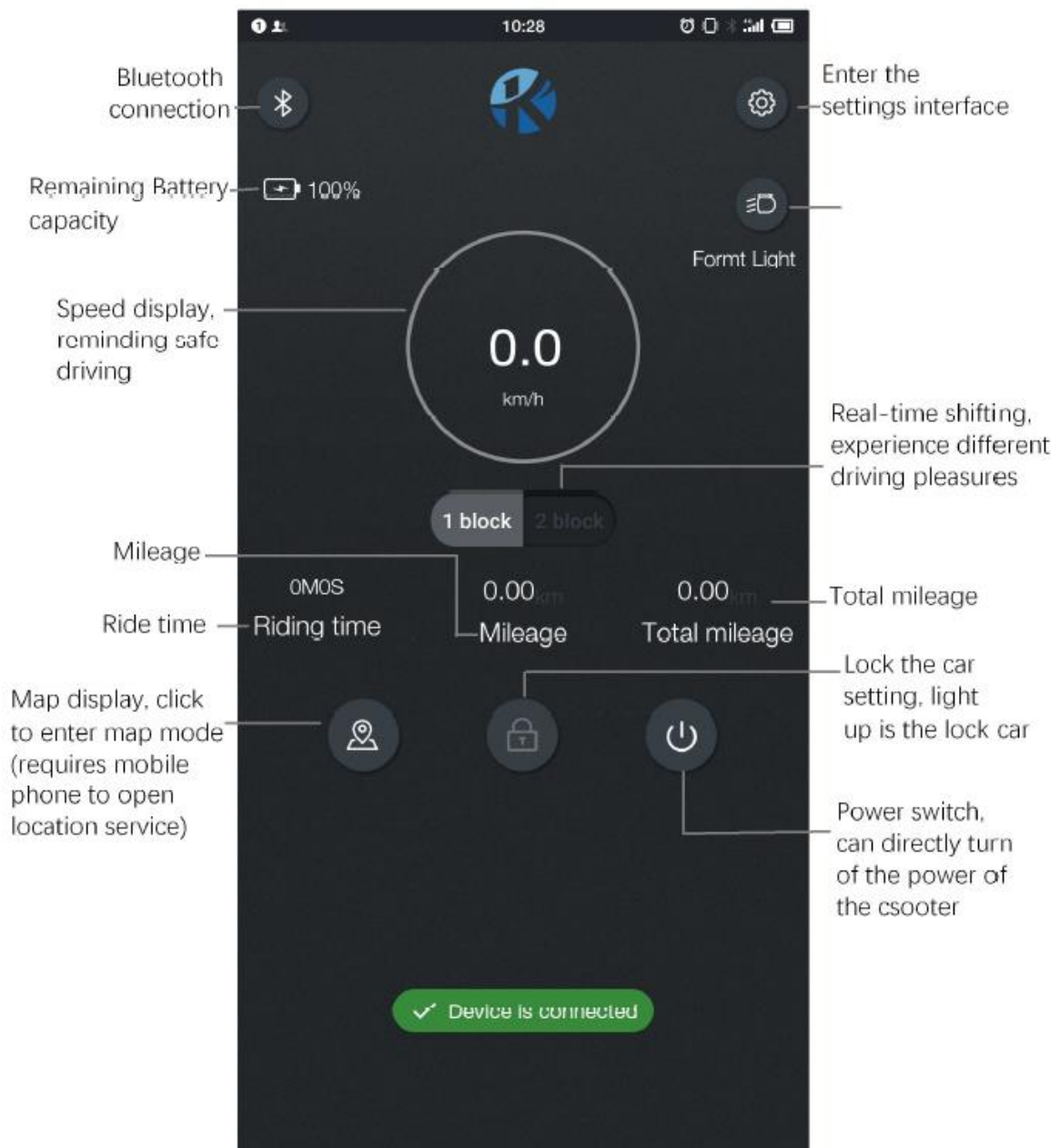
To use the application, register using email or phone number or skip login.

You can reset your forgotten password by pressing Forgot password.

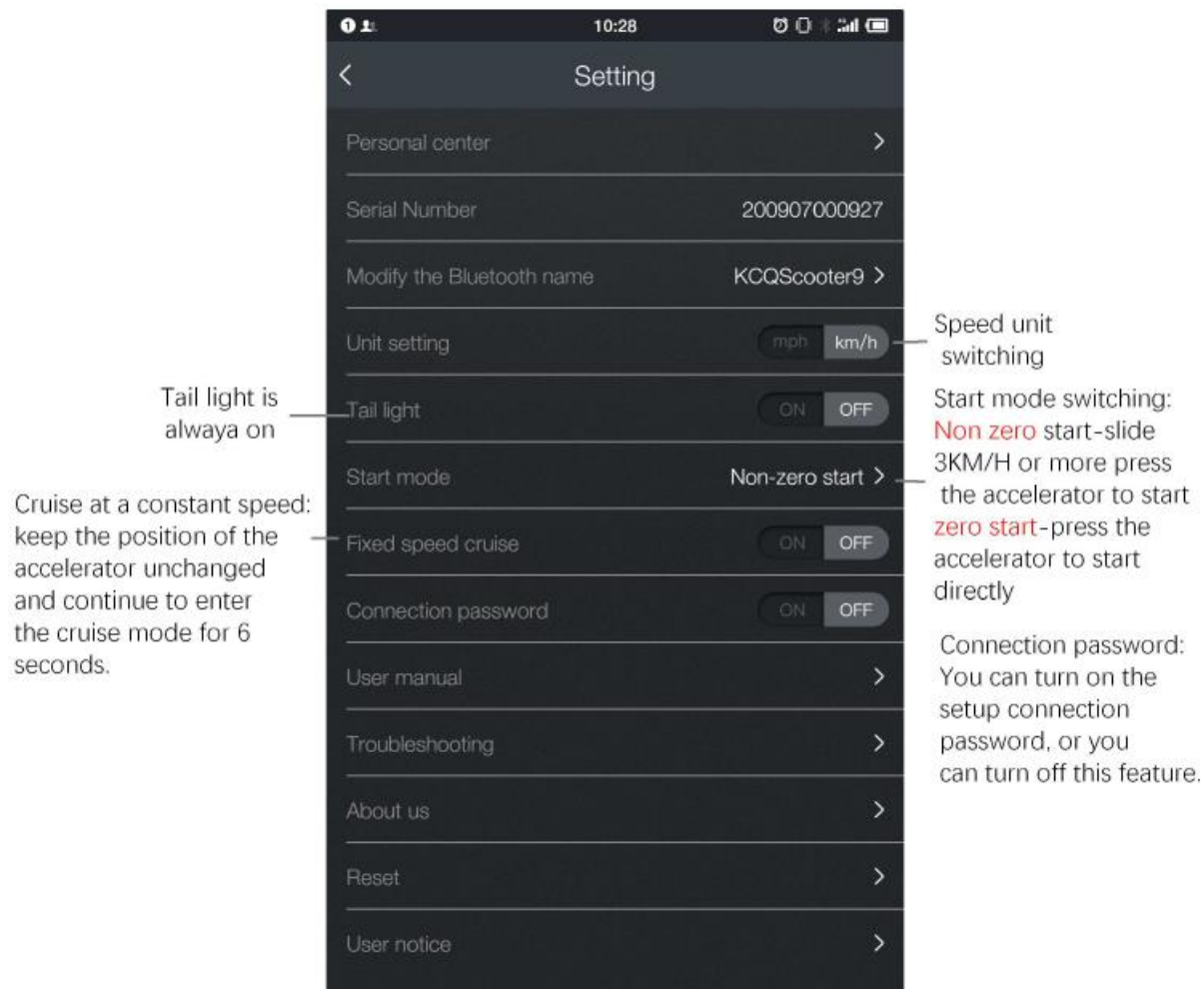
The application will then search for the scooter.



After pairing the application with the scooter, the information is displayed.



SETTING



BATTERY

6-month battery warranty – we guarantee that battery's nominal capacity does not fall below 70% of its total capacity within 6 months of the product's sale.

- For proper operation and safe use of the battery, follow the instructions in the manual. Stop using the battery immediately if the battery is damaged, leaks liquid or you smell abnormal odor.
- Battery lifespan is limited. If you use a battery that exceeds normal lifespan, the charging frequency may increase, and the scooter range will be reduced.
- Do not open or throw of the battery in a fire. Do not insert foreign objects into the battery.
- Do not touch the battery with metal objects. The battery may explode or be damaged.
- Use only the original charger.
- Follow local regulations and laws while driving.
- You can charge the battery continuously.
- The ideal battery charging temperature is +10 ° C to +30 ° C.
- If you use the battery for an extended period, its temperature will be higher. This is a normal battery condition.
- If you use the battery in a cold environment, the range is lower.
- Do not repair or modify the battery yourself.

USE

- Before use, make sure that all parts are properly assembled, tightened and not damaged.
- Check the brakes.
- Check that the folding mechanism is properly locked.
- Make sure the battery is properly charged.
- Make sure the tires are in good condition.
- Check the handlebar. It must be properly tightened.
- Do not drive on slippery surfaces.
- Wear personal protective equipment including a helmet and a sturdy shoe.
- Do not use if outdoor conditions are poor.
- Moisture reduces braking efficiency.

RIDING TECHNIQUE

- Know the scooter before first use and test your ability to control this product.
- Turn continuously and brake safely having enough free space.
- Practice your first ride in an open area without obstacles.
- Never let distract your mind during riding.

Foot position – put your foot on the board as close to the front part as possible. Let your other foot on the ground. Make sure the route is clean and free. To start riding, push yourself forwards (like on a non-motorized scooter). Push off with the foot that is on the ground. Immediately after pressing the throttle downwards, tilt your body forwards as a prevention from falling back while increasing your speed. Avoid excessive body pressing on the handlebars during speed changing. One foot is at front and the second one is back. It is comfortable to place the feet like on a skateboard for optimal stability.

NOTE: Riding on a scooter can be dangerous. You use the product on your own responsibility and be familiar with all the safety precautions before riding.

Turning – it is the same as on a surf or snowboard. The handlebar should be parallel to the body. Before turning look at the approaching direction to be sure the operation is safe.

Braking – shift your weight backwards so that the braking is realized through your feet and not through handlebar and steering system. Learn well to adjust the gravity center during stopping to avoid turning over or excessive wearing of the braking and steering system

CLEANING AND MAINTENANCE

- The scooter must be switched off, disconnected from the charger and the charging port must be covered before cleaning or maintenance.
- Clean the scooter with a damp cloth and a mild detergent.
- Do not use solvents or other aggressive cleaning agents.
- Keep the water out of the charging port.
- Never immerse the scooter.
- Do not use high-pressure cleaners.
- If the tire pressure is low, inflate it.
- If you need to replace tires / inner tubes, please contact your specialist dealer or manufacturer.

- You can adjust the brake stiffness by loosening the M5 screw. Loosen the screw to the right, tighten it to the left.

STORAGE

- Store in a dry and shady place.
- Avoid storage if the room temperature exceeds 50 ° C.
- Charge the battery at least once a month. Battery life is lower in cold conditions.

SPECIFICATIONS

Front wheel	10"
Back wheel	10"
Frame	Aluminum
Engine power	700W
Battery type	Lithium
Battery performance	15 Ah, 48V
Brakes	Front and rear disc brakes
Rear shock absorbers	Yes
Front shock absorbers	Yes
Lights and brake lights	Yes

ENVIRONMENT PROTECTION

After the product lifespan expired or if the possible repairing is uneconomic, dispose it according to the local laws and environmentally friendly in the nearest scrapyard.

By proper disposal you will protect the environment and natural sources. Moreover, you can help protect human health. If you are not sure in correct disposing, ask local authorities to avoid law violation or sanctions.

Don't put the batteries among house waste but hand them in to the recycling place.

TERMS AND CONDITIONS OF WARRANTY, WARRANTY CLAIMS

General Conditions of Warranty and Definition of Terms

All Warranty Conditions stated here under determine Warranty Coverage and Warranty Claim Procedure. Conditions of Warranty and Warranty Claims are governed by Act No. 89/2012 Coll. Civil Code, and Act No. 634/1992 Coll., Consumer Protection, as amended, also in cases that are not specified by these Warranty rules.

The seller is SEVEN SPORT s.r.o. with its registered office in Strakonická street 1151/2c, Prague 150 00, Company Registration Number: 26847264, registered in the Trade Register at Regional Court in Prague, Section C, Insert No. 116888.

According to valid legal regulations it depends whether the Buyer is the End Customer or not.

“The Buyer who is the End Customer” or simply the “End Customer” is the legal entity that does not conclude and execute the Contract in order to run or promote his own trade or business activities.

“The Buyer who is not the End Customer” is a Businessman that buys Goods or uses services for the purpose of using the Goods or services for his own business activities. The Buyer conforms to the General Purchase Agreement and business conditions.

These Conditions of Warranty and Warranty Claims are an integral part of every Purchase Agreement made between the Seller and the Buyer. All Warranty Conditions are valid and binding, unless otherwise specified in the Purchase Agreement, in the Amendment to this Contract or in another written agreement.

Warranty Conditions

Warranty Period

The Seller provides the Buyer a 24 months Warranty for Goods Quality, unless otherwise specified in the Certificate of Warranty, Invoice, Bill of Delivery or other documents related to the Goods. The legal warranty period provided to the Consumer is not affected.

By the Warranty for Goods Quality, the Seller guarantees that the delivered Goods shall be, for a certain period of time, suitable for regular or contracted use, and that the Goods shall maintain its regular or contracted features.

Batteries

6-month battery warranty – we guarantee that battery's nominal capacity does not fall below 70% of its total capacity within 6 months of the product's sale.

The Warranty does not cover defects resulting from (if applicable):

- User's fault, i.e. product damage caused by unqualified repair work, improper assembly, insufficient insertion of seat post into frame, insufficient tightening of pedals and cranks
- Improper maintenance
- Mechanical damages
- Regular use (e.g. wearing out of rubber and plastic parts, moving mechanisms, joints, wear of brake pads/blocks, chain, tires, cassette/multi wheel etc.)
- Unavoidable event, natural disaster
- Adjustments made by unqualified person
- Improper maintenance, improper placement, damages caused by low or high temperature, water, inappropriate pressure, shocks, intentional changes in design or construction etc.

Warranty Claim Procedure

The Buyer is obliged to check the Goods delivered by the Seller immediately after taking the responsibility for the Goods and its damages, i.e. immediately after its delivery. The Buyer must check the Goods so that he discovers all the defects that can be discovered by such check.

When making a Warranty Claim the Buyer is obliged, on request of the Seller, to prove the purchase and validity of the claim by the Invoice or Bill of Delivery that includes the product's serial number, or eventually by the documents without the serial number. If the Buyer does not prove the validity of the Warranty Claim by these documents, the Seller has the right to reject the Warranty Claim.

If the Buyer gives notice of a defect that is not covered by the Warranty (e.g. in the case that the Warranty Conditions were not fulfilled or in the case of reporting the defect by mistake etc.), the Seller is eligible to require a compensation for all the costs arising from the repair. The cost shall be calculated according to the valid price list of services and transport costs.

If the Seller finds out (by testing) that the product is not damaged, the Warranty Claim is not accepted. The Seller reserves the right to claim a compensation for costs arising from the false Warranty Claim.

In case the Buyer makes a claim about the Goods that is legally covered by the Warranty provided by the Seller, the Seller shall fix the reported defects by means of repair or by the exchange of the damaged part or product for a new one. Based on the agreement of the Buyer, the Seller has the right to exchange the defected Goods for a fully compatible Goods of the same or better technical characteristics. The Seller is entitled to choose the form of the Warranty Claim Procedures described in this paragraph.

The Seller shall settle the Warranty Claim within 30 days after the delivery of the defective Goods, unless a longer period has been agreed upon. The day when the repaired or exchanged Goods is handed over to the Buyer is considered to be the day of the Warranty Claim settlement. When the

Seller is not able to settle the Warranty Claim within the agreed period due to the specific nature of the Goods defect, he and the Buyer shall make an agreement about an alternative solution. In case such agreement is not made, the Seller is obliged to provide the Buyer with a financial compensation in the form of a refund.

CZ

SEVEN SPORT s.r.o.

Registered Office: Strakonická 1151/2c, Praha 5, 150 00, ČR
Headquarters: Dělnická 957, Vítkov, 749 01
Warranty & Service: Čermenská 486, Vítkov 749 01

CRN: 26847264
VAT ID: CZ26847264

Phone: +420 556 300 970
E-mail: eshop@insportline.cz
reklamace@insportline.cz
servis@insportline.cz

Web: www.inSPORTline.cz

SK

inSPORTline s.r.o.

Headquarters, warranty & service center: Električná 6471, Trenčín 911 01, SK

CRN: 36311723
VAT ID: SK2020177082

Phone: +421(0)326 526 701
E-mail: objednavky@insportline.sk
reklamacie@insportline.sk
servis@insportline.sk

Web: www.inSPORTline.sk

ES DECLARATION

IMPORTER:

Seven sport s.r.o., Strakonická 1151/2C, Praha 5-Hlubočepy 150 00
IČ: 268 47 264
Czech republic

Declares on its own responsibility that

product: IN 24175 E-scooter W-TEC W-TEC Lambreto Max (A3)

This product meets the following standards

SGS: SHES210801682785HSC / 05.11.2021

EN ISO 12100:2010

EN 17128:2020

BST: BSTDG181211138301CC / 06.11.2018

IEC62321-4:2013+AMD1:2017,IEC 62321-5:2013

IEC62321-6:2015,IEC 62321-7-1:2015

IEC62321-7-2:2017,IEC 62321-8:2017

BST: BSTDG181211138301EC / 06.11.2018

EN 55014-1:2017

EN 61000-3-2:2014

EN 61000-3-3:2013

EN 55014-2:2015

BST: BSTDG181211138301SR / 06.11.2018

EN 60335-1:2012+A11:2014+A13:2017

EN 17128:2020/CISPR 12:2007+A1:2009


EN 17128:2020/EN 61000-4-2:2009

EN 17128:2020/ISO 11451-1:2015

This declaration of conformity is made based on TUV Certificate , Cert-No :
16035296001 issued on 29.08.2011

In Vítkov,22.10.2020



Seven Sport s.r.o.
Bořivojeva 35/37b, 130 00 Praha 3
IČO: 26847264 DIČ: CZ26847264
tel./fax: +420 556 300 970 

SEVEN SPORT s.r.o.
Roman Košťál, jednatel společnosti