



## USER MANUAL – EN

### IN 22272 Hammock with wooden frame inSPORTline Woodleaf LG3885



## SAFETY INSTRUCTIONS

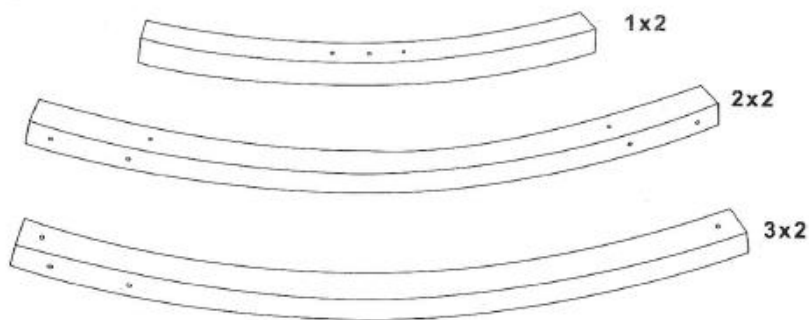
- Please read these instructions thoroughly before using your hammock and keep it for future reference.
- Store in a cool, dry place when not in use.
- This is NOT a swing. Children using this product must be supervised at all times.
- Do not use if the product has any faulty part, including the strings, fabric or hammock eye.
- Please check your hammock safe capacity each and every time prior to using. Do not use it more than the recommended safe capacity.
- Do NOT leave your hammock outdoors in the rain or expose it to direct sunlight. The fabric will deteriorate and the colours may run (not all our hammocks are colour-fast, contact us to confirm).
- Check the area under the hammock for sharp objects, stones or other dirt that could pose a danger in case of falling.
- Do not jump or swing aggressively in a hammock.
- Always follow the provided instruction.
- Always test the hammock before putting your full weight in it.
- Do not modify. Subsequent modifications will void the warranty.
- Prevent any misuse! Risk of hanging and suffocation. Always remove the product when not in use. A hammock is no toy, sports or climbing device. Risk of injury due to falling or material damage.



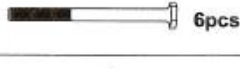









## CARE

### STORAGE

- Keep your hammock indoors when not in use and store in a cool, dry place.
- Direct sunlight and rain will deteriorate and reduce the lifespan of your hammock in time and the colours may run or change. Salt spray from the sea will also damage your hammock, so it is important to rinse your hammock regularly.

### PARTS LIST



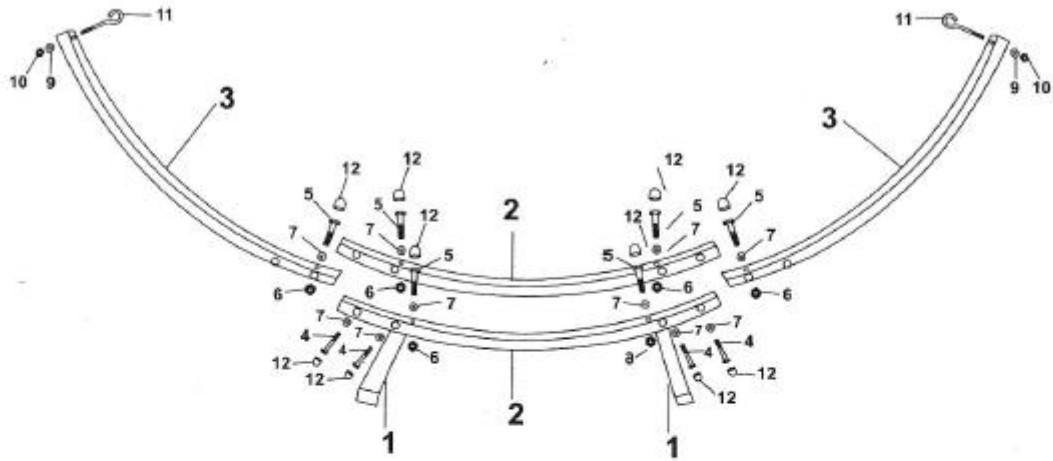
4	 4pcs	9	 2pcs
5	 6pcs	10	 2pcs
6	 10pcs	11	 2pcs
7	 20pcs	12	 14pcs
8	 2pcs		
 1pcs		 1pcs	
 1pcs			



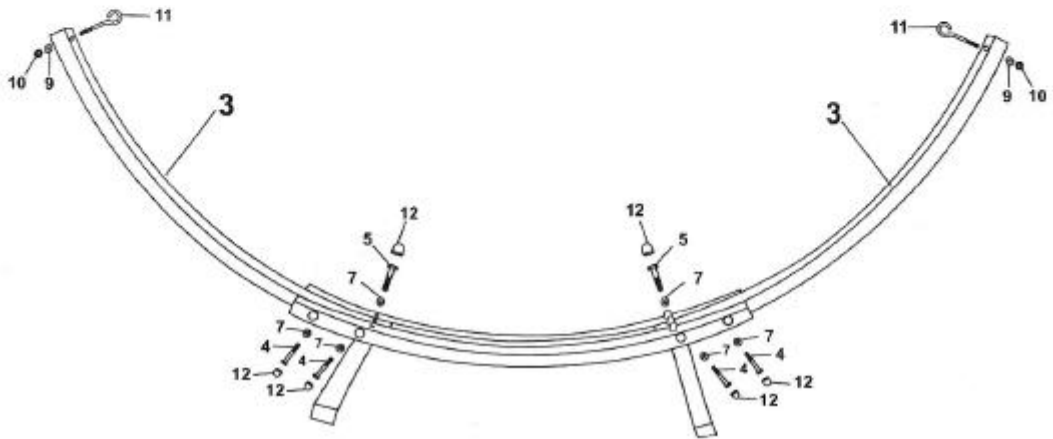
13

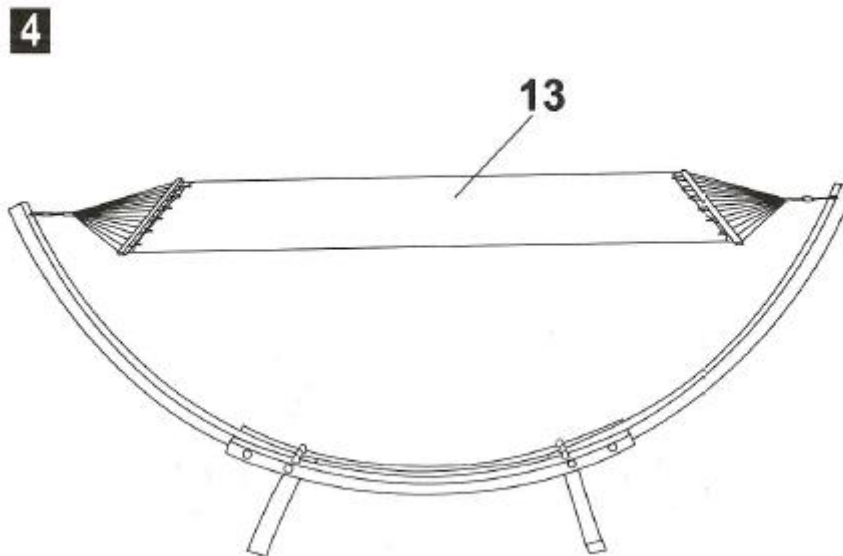
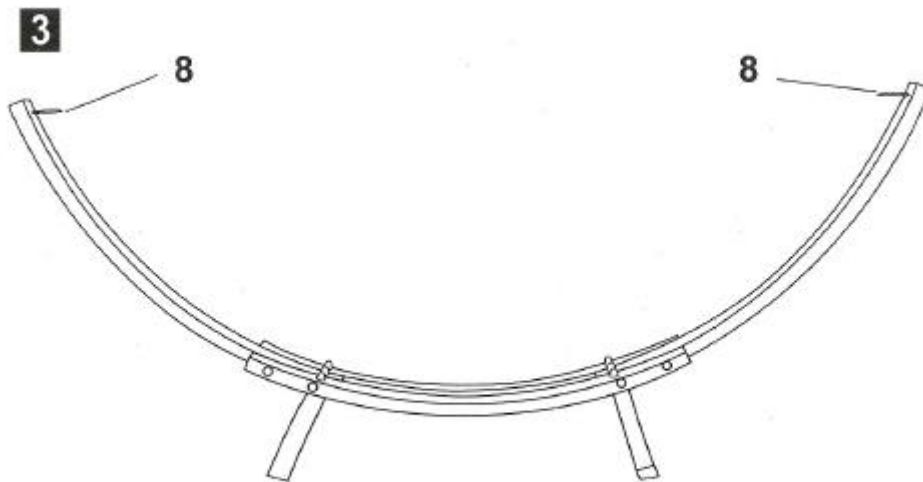
# ASSEMBLY

**1**



**2**

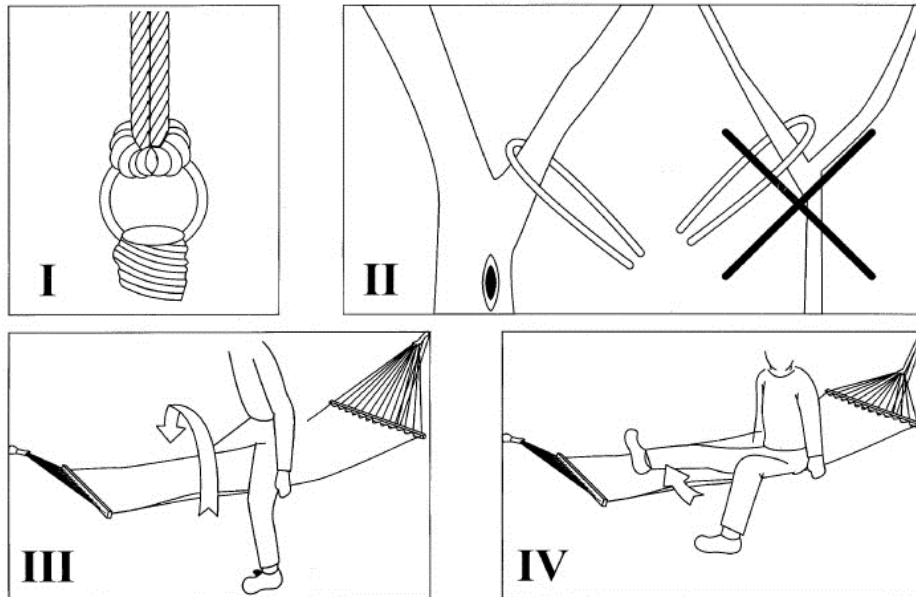




## SAFETY INSTRUCTIONS

1. To avoid falling from a hammock, care should be taken when getting on to it. Firstly, sit in the middle of the hammock, facing out. Then twist the body until on to the hammock. **NEVER JUMP DIRECTLY ON TO THE HAMMOCK.**
2. When on the hammock, lie in the centre and do not lean towards one side as it may result in a fall. This hammock is designed for use by only one person at a time.
3. **DO NOT LEAVE CHILDREN UNATTENDED.** Children should also be helped on to and off the hammock.
4. **HAMMOCK MUST BE HUNG AND CHECKED UP BY AN ADULT.** In securing the hammock, the use of strong metal hooks, well secured onto posts, trees or roof structures is recommended. The hammock ends can then be directly attached to these hooks. Any post, tree, roof eave etc. should be judged to be strong enough to support the weight of intended users. If using ropes to connect the hammock ends to hooks or other structures, please ensure all knots are tied securely and will not come loose.

5. If securing to posts or trees, ensure hammock is secure so ropes will not slide downwards. Posts should be rounded so that ropes will not fray with use. ROPES AND KNOTS SHOULD BE ALWAYS CHECKED BEFORE USE.
6. The hammock should be inspected each time before use. Replace or re-do any suspect ropes or knots.
7. When not being used, keep in a dry place. Only roll and pack hammock when it is dry.



## ENVIRONMENT PROTECTION

After the product lifespan expired or if the possible repairing is uneconomic, dispose it according to the local laws and environmentally friendly in the nearest scrapyard.

By proper disposal you will protect the environment and natural sources. Moreover, you can help protect human health. If you are not sure in correct disposing, ask local authorities to avoid law violation or sanctions.

## TERMS AND CONDITIONS OF WARRANTY, WARRANTY CLAIMS

### General Conditions of Warranty and Definition of Terms

All Warranty Conditions stated here under determine Warranty Coverage and Warranty Claim Procedure. Conditions of Warranty and Warranty Claims are governed by Act No. 89/2012 Coll. Civil Code, and Act No. 634/1992 Coll., Consumer Protection, as amended, also in cases that are not specified by these Warranty rules.

The seller is SEVEN SPORT s.r.o. with its registered office in Strakonická street 1151/2c, Prague 150 00, Company Registration Number: 26847264, registered in the Trade Register at Regional Court in Prague, Section C, Insert No. 116888.

According to valid legal regulations it depends whether the Buyer is the End Customer or not.

“The Buyer who is the End Customer” or simply the “End Customer” is the legal entity that does not conclude and execute the Contract in order to run or promote his own trade or business activities.

“The Buyer who is not the End Customer” is a Businessman that buys Goods or uses services for the purpose of using the Goods or services for his own business activities. The Buyer conforms to the General Purchase Agreement and business conditions.

These Conditions of Warranty and Warranty Claims are an integral part of every Purchase Agreement made between the Seller and the Buyer. All Warranty Conditions are valid and binding, unless

otherwise specified in the Purchase Agreement, in the Amendment to this Contract or in another written agreement.

### **Warranty Conditions**

#### **Warranty Period**

The Seller provides the Buyer a 24 months Warranty for Goods Quality, unless otherwise specified in the Certificate of Warranty, Invoice, Bill of Delivery or other documents related to the Goods. The legal warranty period provided to the Consumer is not affected.

By the Warranty for Goods Quality, the Seller guarantees that the delivered Goods shall be, for a certain period of time, suitable for regular or contracted use, and that the Goods shall maintain its regular or contracted features.

#### **The Warranty does not cover defects resulting from (if applicable):**

- User's fault, i.e. product damage caused by unqualified repair work, improper assembly, insufficient insertion of seat post into frame, insufficient tightening of pedals and cranks
- Improper maintenance
- Mechanical damages
- Regular use (e.g. wearing out of rubber and plastic parts, moving mechanisms, joints, wear of brake pads/blocks, chain, tires, cassette/multi wheel etc.)
- Unavoidable event, natural disaster
- Adjustments made by unqualified person
- Improper maintenance, improper placement, damages caused by low or high temperature, water, inappropriate pressure, shocks, intentional changes in design or construction etc.

### **Warranty Claim Procedure**

The Buyer is obliged to check the Goods delivered by the Seller immediately after taking the responsibility for the Goods and its damages, i.e. immediately after its delivery. The Buyer must check the Goods so that he discovers all the defects that can be discovered by such check.

When making a Warranty Claim the Buyer is obliged, on request of the Seller, to prove the purchase and validity of the claim by the Invoice or Bill of Delivery that includes the product's serial number, or eventually by the documents without the serial number. If the Buyer does not prove the validity of the Warranty Claim by these documents, the Seller has the right to reject the Warranty Claim.

If the Buyer gives notice of a defect that is not covered by the Warranty (e.g. in the case that the Warranty Conditions were not fulfilled or in the case of reporting the defect by mistake etc.), the Seller is eligible to require a compensation for all the costs arising from the repair. The cost shall be calculated according to the valid price list of services and transport costs.

If the Seller finds out (by testing) that the product is not damaged, the Warranty Claim is not accepted. The Seller reserves the right to claim a compensation for costs arising from the false Warranty Claim.

In case the Buyer makes a claim about the Goods that is legally covered by the Warranty provided by the Seller, the Seller shall fix the reported defects by means of repair or by the exchange of the damaged part or product for a new one. Based on the agreement of the Buyer, the Seller has the right to exchange the defected Goods for a fully compatible Goods of the same or better technical characteristics. The Seller is entitled to choose the form of the Warranty Claim Procedures described in this paragraph.

The Seller shall settle the Warranty Claim within 30 days after the delivery of the defective Goods, unless a longer period has been agreed upon. The day when the repaired or exchanged Goods is handed over to the Buyer is considered to be the day of the Warranty Claim settlement. When the Seller is not able to settle the Warranty Claim within the agreed period due to the specific nature of the Goods defect, he and the Buyer shall make an agreement about an alternative solution. In case such agreement is not made, the Seller is obliged to provide the Buyer with a financial compensation in the form of a refund.

**CZ**  
**SEVEN SPORT s.r.o.**

Registered Office: Strakonická 1151/2c, Praha 5, 150 00, ČR  
Headquarters: Dělnická 957, Vítkov, 749 01  
Warranty & Service: Čermenská 486, Vítkov 749 01

CRN: 26847264  
VAT ID: CZ26847264

Phone: +420 556 300 970  
E-mail: eshop@insportline.cz  
reklamace@insportline.cz  
servis@insportline.cz

Web: www.inSPORTline.cz

**SK**  
**inSPORTline s.r.o.**

Headquarters, warranty & service center: Električná 6471, Trenčín 911 01, SK

CRN: 36311723  
VAT ID: SK2020177082

Phone: +421(0)326 526 701  
E-mail: objednavky@insportline.sk  
reklamacie@insportline.sk  
servis@insportline.sk

Web: www.inSPORTline.sk